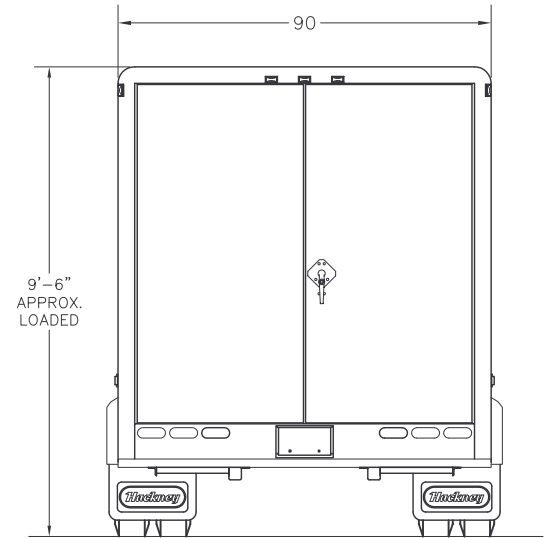
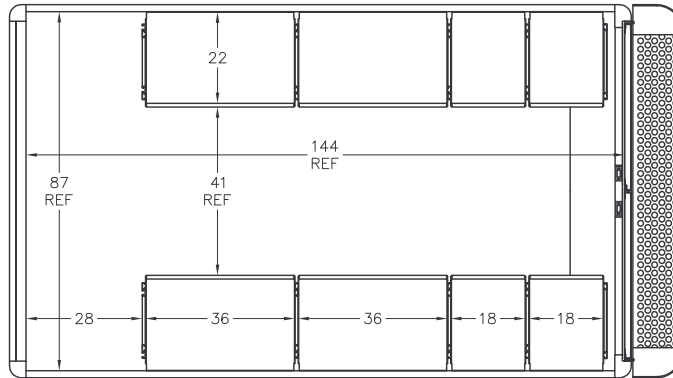
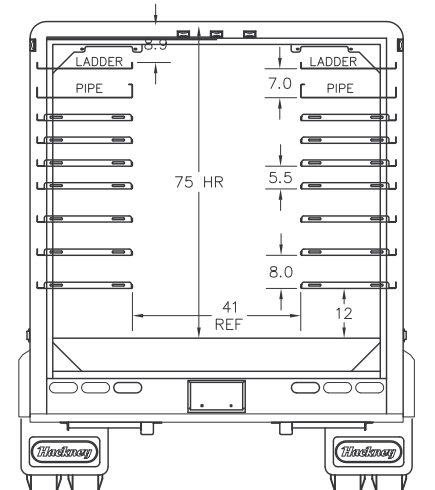
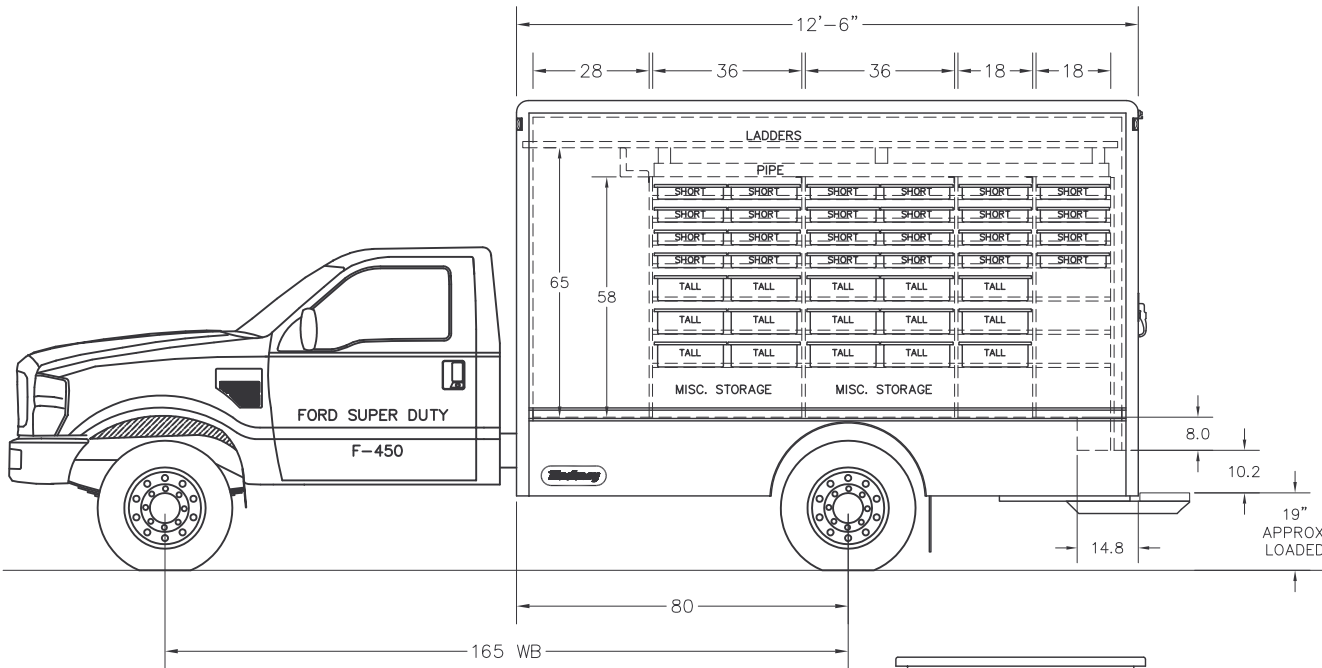


P/2000 12'-6" MODEL



REAR VIEW



SHORT TRAY (QTY. 48)
22.38" L x 17.5" W x 3.5" H

TALL TRAY (QTY. 30)
22.38" L x 17.5" W x 6.0" H

* TRAYS OPTIONAL



www.hackneyservice.com

400 Hackney Avenue
Washington, NC 27889
Toll Free 800 763-0700
Worldwide 252 946-6521
Fax 252 975-8340

THIS PRINT AND ALL RIGHTS TO THE DESIGN AND DETAIL THEREON ARE THE PROPERTY OF HACKNEY & SONS, INC., WASHINGTON, N.C. AND IS LOANED TO THE RECIPIENT SUBJECT TO RETURN UPON DEMAND. ITS CONTENTS ARE CONFIDENTIAL AND MUST NOT BE COPIED OR SUBMITTED TO OUTSIDE PARTIES FOR USE OR EXAMINATION.
© 2010 HACKNEY A division of VT SVC

DRAWING NUMBER	REV.
D-10S-032	