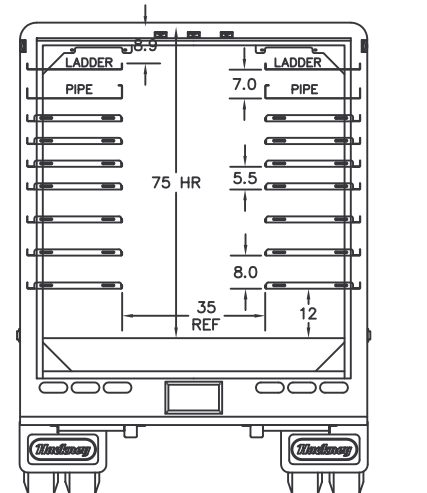
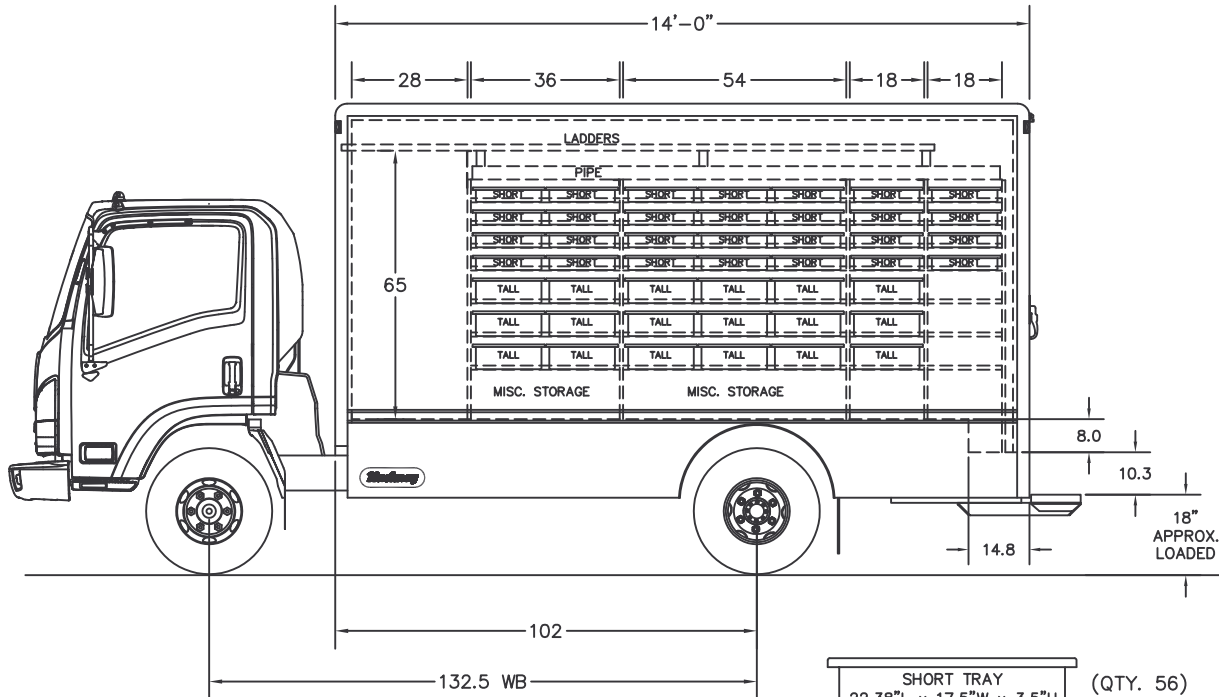
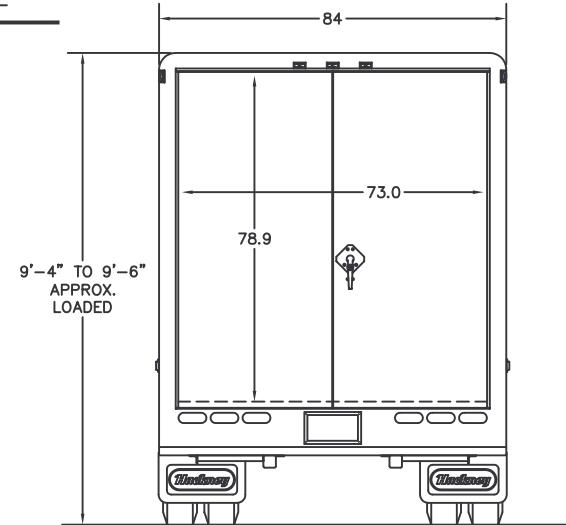
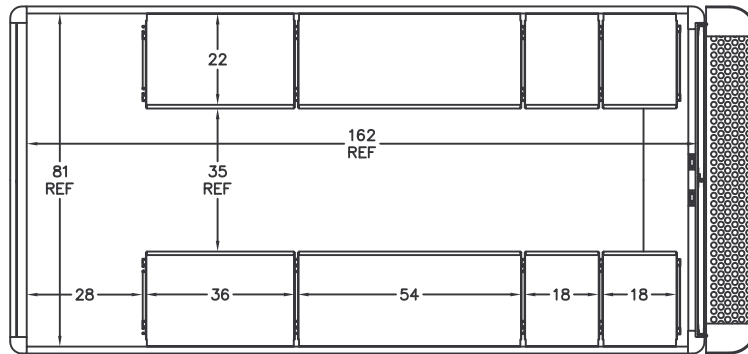


P/2000 14' MODEL



SHORT TRAY
22.38"L x 17.5"W x 3.5"H (QTY. 56)

TALL TRAY
22.38"L x 17.5"W x 6.0"H (QTY. 36)

* TRAYS OPTIONAL



www.hackneyservice.com

400 Hackney Avenue
Washington, NC 27889
Toll Free 800 763-0700
Worldwide 252 946-6521
Fax 252 975-8340

THIS PRINT AND ALL RIGHTS TO THE DESIGN AND DETAIL THEREON ARE THE PROPERTY OF HACKNEY & SONS, INC., WASHINGTON, N.C. AND IS LOANED TO THE RECIPIENT SUBJECT TO RETURN UPON DEMAND. ITS CONTENTS ARE CONFIDENTIAL AND MUST NOT BE COPIED OR SUBMITTED TO OUTSIDE PARTIES FOR USE OR EXAMINATION.

© 2008 HACKNEY A division of VT SVC

DRAWING NUMBER	REV.
D-08S-172	